

# PixCtr16-POE

## Manual

### ➤ Specifications :

- POE (IEEE 802.3)
- Dimensions : 94\*28\*20mm
- 16 Art-Net Univers (RGB / RGBW)
  - 4 Univers per output (4 outputs)
  - RGB Version : 170 Leds / Univers
  - RGBW Version : 128 Leds / Univers
- Can be managed via Web app on port 80
- You must always send the last Univers (16th) to send data to Leds

### ➤ Precautions :

- Do not connect USB to the board, under penalty of warranty refusal
- Do not expose to water or moisture, under penalty of warranty refusal

### ➤ Default configurations :

- IP Address : 2.0.0.10
- Subnet Mask : 255.0.0.0
- Gateway : 2.0.0.1
- First Univers: 1 (last : 16)
- Leds type : WS2813 V4 (RGB order)

### ➤ Act LED : (green)

- No blinking : Power on, no last Univers receive
- Blinking twice per second: last Univers receive, send to Leds

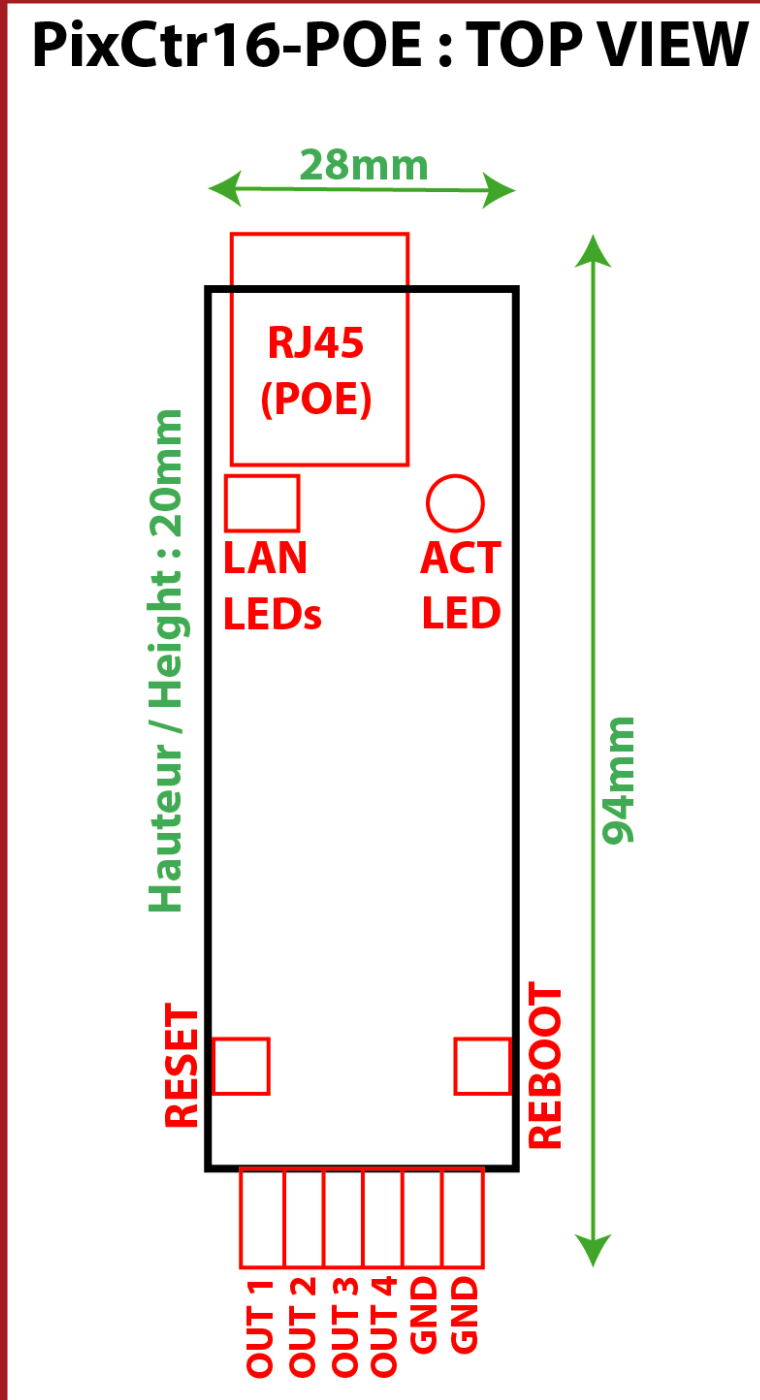
### ➤ Reset button (BUT1)

- Press 3 seconds to restore default configuration

### ➤ Configuration example :

- First Univers : 1 (so last = 16)
  - Out 1 : Univers 1, 2, 3 & 4
  - Out 2 : Univers 5, 6, 7 & 8
  - Out 3 : Univers 9, 10, 11 & 12
  - Out 4 : Univers 13, 14, 15 & 16

➤ Schema :



➤ Configuration (Web App) :

# PixCtr16-POE Config

## Network Configuration

**IP Address :**  .  .  .

**Subnet Mask :**  .  .  .

**Default Gateway :**  .  .  .

---

## LEDs Configuration

**First Universe :**

**LEDs Type :**

**Color Order :**