

PixelCTR32-RGB & PixelCTR32-RGBW

Manual

➤ Specifications :

- Input voltage : 5V DC (check polarity before connect)
- 32 Art-Net Univers (RGB / RGBW)
 - 4 Univers per output
 - RGB Version : 170 Leds / Univers
 - RGBW Version : 128 Leds / Univers
- Can be managed with WIN or OSX applications (only IP Address and First Univers for RGBW version)
- You must always send the last Univers (32th) to send data to Leds

➤ Precautions :

- Do not connect USB to the board, under penalty of warranty refusal
- Do not expose to water or moisture, under penalty of warranty refusal

➤ Default configurations :

- IP Address : 2.0.0.10
- First Univers: 1 (last : 32)
- Number of Leds Strips : 8 (RGB only)
- Number of Leds per Strip : (RGB only)
 - 170
- Leds type : RGB (RGB only)

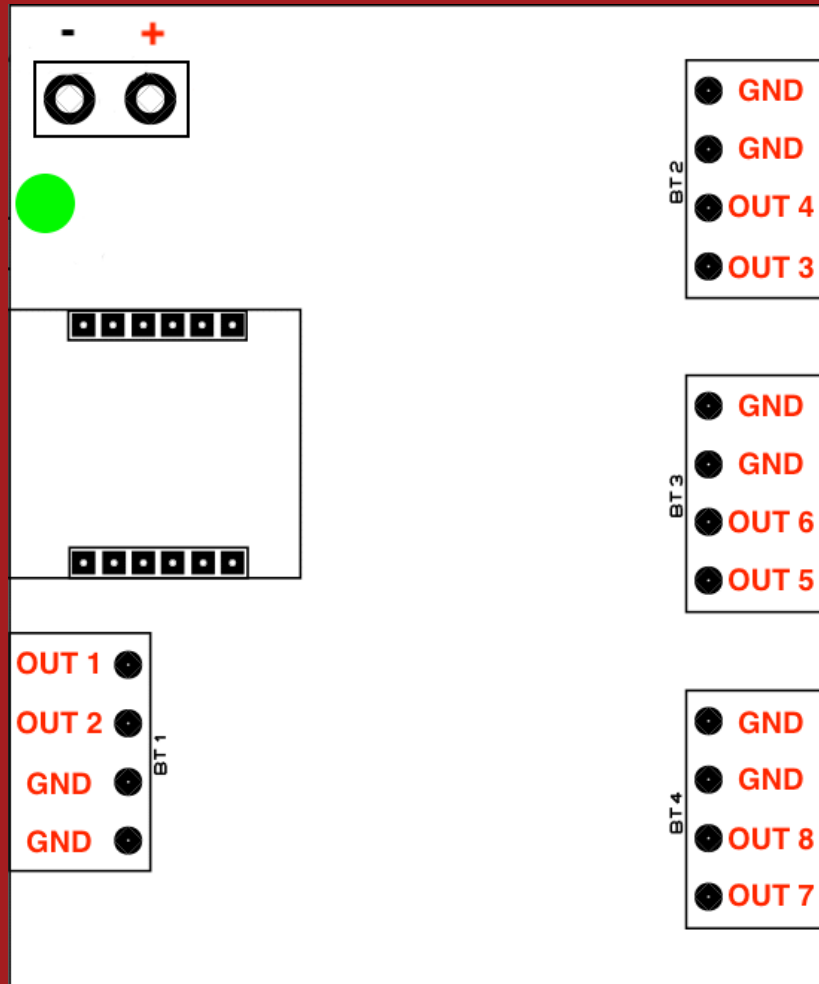
➤ Status LED : (green)

- No blinking : Power on, no last Univers receive
- Blinking : last Univers receive, send to Leds

➤ Configuration example :

- First Univers : 1 (so last = 32)
 - Out 1 : Univers 1, 2, 3 & 4
 - Out 2 : Univers 5, 6, 7 & 8
 - Out 3 : Univers 9, 10, 11 & 12
 - Out 4 : Univers 13, 14, 15 & 16
 - Out 5 : Univers 17, 18, 19 & 20
 - Out 6 : Univers 21, 22, 23 & 24
 - Out 7 : Univers 25, 26, 27 & 28
 - Out 8 : Univers 29, 30, 31 & 32

➤ Schema :



➤ Configuration Applications :

- Windows : https://www.hglight.fr/PixelCTR/HGLight_Pixel_CTRv2.zip
- Mac OSX : https://www.hglight.fr/PixelCTR/HGLight_Pixel_CTRv2.app.zip
- Manual : https://www.hglight.fr/PixelCTR/Manual_Pixel_CTR.pdf